

**Neenah R-4990-FA Airport**

Series

**R-4990-FA**

Cut Sheet

20" Wide Airport Bolted

**20" Wide NEENAH Airport Bolted Extra Heavy Duty Trench Drain Grates and Frames**

Product ID: R-4990-FA



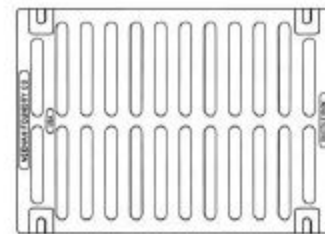
20" Wide Airport Neenah R-4990-FA Series Trench Grate and Frame

Frame is included - Please call if only Grate is needed.

| Catalog No.  | A  | B | C  | Grate Matl.  |
|--------------|----|---|----|--------------|
| R-4990-AA    | 8  | 2 | 6  | Gray Iron    |
| R-4990-BA    | 10 | 2 | 8  | Gray Iron    |
| R-4990-CA    | 12 | 2 | 10 | Ductile Iron |
| R-4990-DA ** | 14 | 2 | 12 | Ductile Iron |
| R-4990-EA *  | 17 | 2 | 15 | Ductile Iron |
| R-4990-FA *  | 20 | 2 | 18 | Ductile Iron |
| R-4990-HA *  | 26 | 2 | 24 | Ductile Iron |
| R-4990-KA2 * | 34 | 2 | 31 | Ductile Iron |
| R-4990-OA *  | 51 | 2 | 48 | Ductile Iron |

\* Type D solid cover available.

\*\* Type C grate available.



TYPE "A"  
GRATE OPENINGS

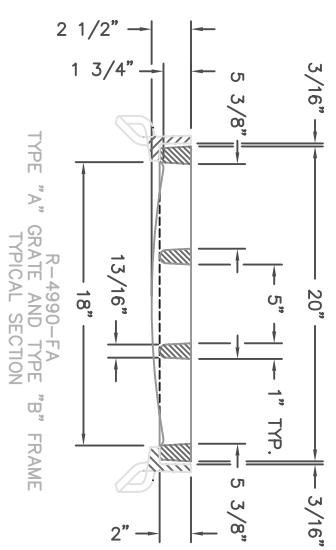
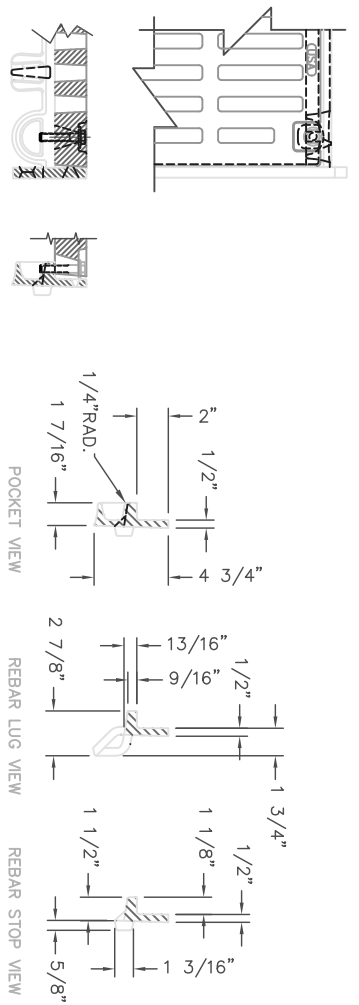
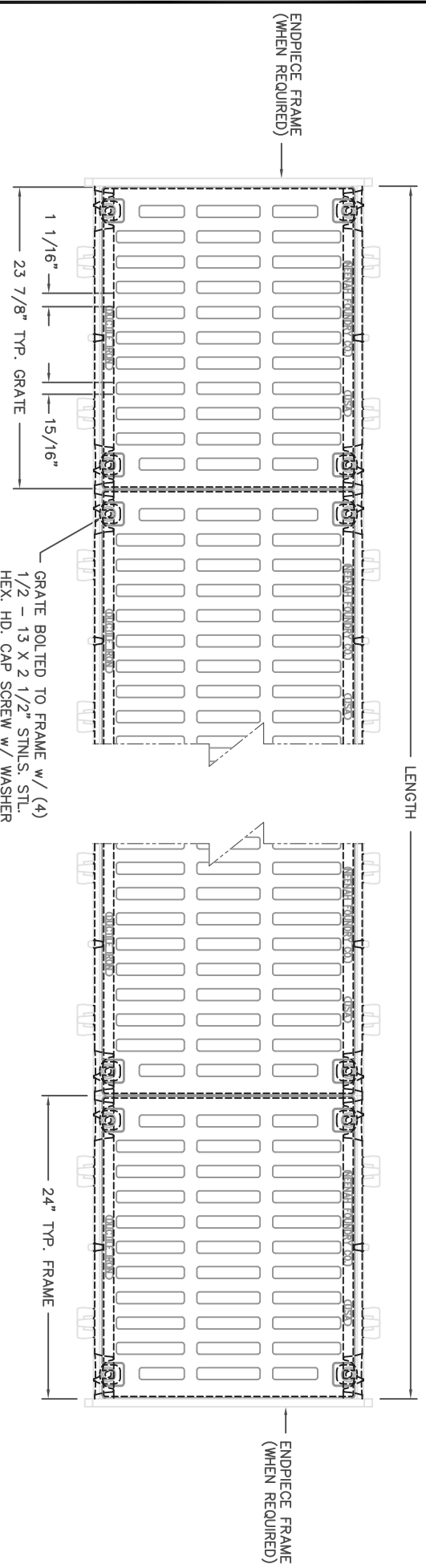
**These trench drains are capable of supporting the heavy wheel loads of today's commercial environments. Grates are bolted to gray iron frames.**

**Suitable for aircraft loading per FAA Advisory Circular AC150/5320-6D.**

**Gray iron furnished per ASTM-A48 Class 35B.**

**Ductile Iron furnished per ASTM A536 Grade 80-55-06.**





COMPONENT NOS.: SIDE PC. FRAME 4999-2400;  
 END PC. FRAME 4990-3120; GRATE 4999-2022  
 MATERIAL: SIDE PC. FRAMES - CAST GRAY IRON ASTM A-48, CLASS 35A,  
 END PC. FRAMES - CAST GRAY IRON ASTM A-48, CLASS 35B,  
 GRATES - CAST DUCTILE IRON ASTM A-536, 55 + KSI YIELD  
 FINISH: NO PAINT

|      |            |          |  |
|------|------------|----------|--|
| DR.  | E. NIVER   | SCALE    | TITLE  |
| CH.  |            | 1/8"=1"  | R-4990-FA BOLTED AIRPORT TRENCH                  |
| APP. |            | DMK CHK. | TYPE "A" GRATE w/ TYPE "B" FRAME                 |
| DATE | 06-05-2013 |          | NEENAH<br>FOUNDRY COMPANY<br>KENA WISCONSIN 5495 |
|      |            |          | INF-4990FAABB                                    |

# R-4990 Airport, Port & Heavy Industrial Series

## BOLTED TRENCH FOR EXTRA HEAVY DUTY APPLICATIONS

These trench drains are capable of supporting the heavy wheel loads of today's commercial environments. For larger trench widths or greater loading requirements, please contact our Product Engineering Department.

Grates are bolted to gray iron frames.

For suggested forming procedures, see page 285.

Suitable for aircraft loading per FAA Advisory Circular AC150/5320-6D.

| Catalog No.    | A  | B | C  | Grate Matl.  |
|----------------|----|---|----|--------------|
| R-4990-AA      | 8  | 2 | 6  | Gray Iron    |
| R-4990-BA      | 10 | 2 | 8  | Gray Iron    |
| R-4990-CA      | 12 | 2 | 10 | Ductile Iron |
| R-4990-DA * ** | 14 | 2 | 12 | Ductile Iron |
| R-4990-EA *    | 17 | 2 | 15 | Ductile Iron |
| R-4990-FA *    | 20 | 2 | 18 | Ductile Iron |
| R-4990-HA *    | 26 | 2 | 24 | Ductile Iron |
| R-4990-KA2 *   | 34 | 2 | 31 | Ductile Iron |
| R-4990-OA *    | 51 | 2 | 48 | Ductile Iron |

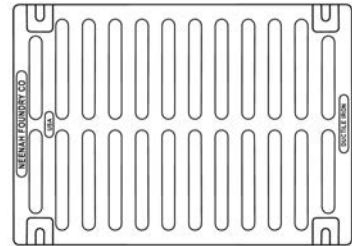
\* Type D solid cover available.

\*\* Type C grate available.

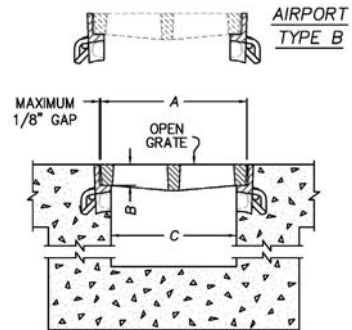
Gray iron furnished per ASTM-A48 Class 35B.

Ductile Iron furnished per ASTM A536 Grade 80-55-06.

These grates are also available with superior duty R-4993 & R-4994 frames as shown on page 287.



TYPE 'A'  
GRATE OPENINGS



Supplied By:

**TRENCHDRAIN  
SUPPLY**

877-903-7246

www.trenchdrainsupply.com